



ZERO CLEARANCE BOX INSTALLATION INSTRUCTIONS



IMPORTANT SAFETY INFORMATION

Read these instructions carefully to get the most from your heater and to ensure safe and satisfactory heater performance. In particular, we would like to draw your attention to these warnings.

It is strongly recommended that a certified/qualified installer perform the installation.

Please be aware that you may need to get council approval prior to installation.

Exclusion of Liability

Whilst every care has been taken in formulating these instructions, no responsibility whatsoever will attach to and/or claim lie against, the manufacturer and/or the distributor of the heater and zero clearance box as a result of any failure to follow the whole or any part of the instructions.

BEFORE BEGINNING

Before beginning the installation of your wood heater and zero clearance box, you should note the following precautions:

- **WARNING: THE APPLIANCE AND FLUE-SYSTEM SHALL BE INSTALLED IN ACCORDANCE WITH AS/NZS 2918 AND THE APPROPRIATE REQUIREMENTS OF THE RELEVANT BUILDING CODE OR CODES.**
- **WARNING: APPLIANCES INSTALLED IN ACCORDANCE WITH THIS STANDARD SHALL COMPLY WITH THE REQUIREMENTS OF AS/NZS 4013 WHERE REQUIRED BY THE REGULATORY AUTHORITY I.E. THE APPLIANCE SHALL BE IDENTIFIABLE BY A COMPLIANCE PLATE WITH THE MARKING 'TESTED TO AS/NZS 4013'.**
- **WARNING: ANY MODIFICATION OF THE APPLIANCE THAT HAS NOT BEEN APPROVED IN WRITING BY THE TESTING AUTHORITY IS CONSIDERED TO BE IN BREACH OF THE APPROVAL GRANTED FOR COMPLIANCE WITH AS/NZS 4013'.**
- **CAUTION: CRACKED AND BROKEN COMPONENTS, e.g. GLASS PANELS OR CERAMIC TILES, MAY RENDER THE INSTALLATION UNSAFE.**
- **CAUTION: MIXING OF APPLIANCE OR FLUE-SYSTEM COMPONENTS FROM DIFFERENT SOURCES OR MODIFYING THE DIMENSIONAL SPECIFICATION OF COMPONENTS MAY RESULT IN HAZARDOUS CONDITIONS. WHERE SUCH ACTION IS CONSIDERED, THE MANUFACTURER SHOULD BE CONSULTED IN THE FIRST INSTANCE.**

STEP 1: SELECT A POSITION FOR YOUR WOOD HEATER

When determining the position of your wood heater, you will need to make considerations regarding the following:

Clearances to Combustible Materials

Please observe all minimum clearances to combustible materials as specified in step 2 of these instructions. These clearances will apply to the timber frame, as well as to the side walls, ceiling and any mantelpiece construction.

Please note any clearances to combustible materials as specified in your heater instructions will also need to be adhered to.

Flue Requirements

Please also allow for clearances in the roof for the flue system. Inspect the roof and ceiling support beams at the proposed location and check that the outer flue casing can pass through without needing to remove any essential beams. You will need to allow 25 mm clearance between the outer flue casing and any combustible material.

Please refer to the diagram on page 6.

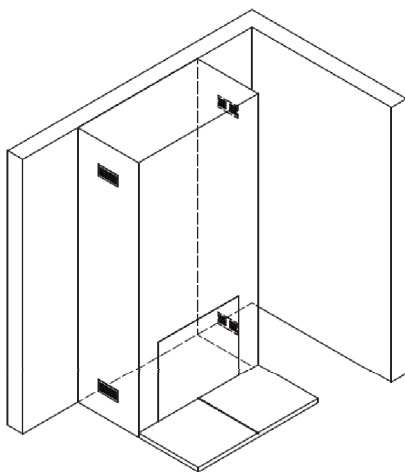
Floor Protector (Hearth) Requirements

The requirements for the floor protector will vary depending on the type of floor that the heater will be installed on, and whether it will be installed at floor level or if will be elevated.

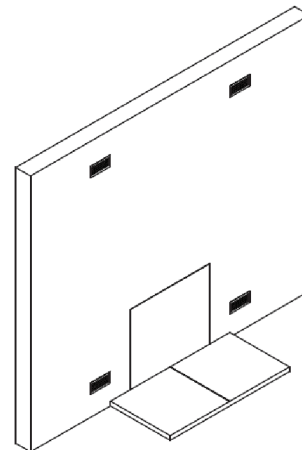
Please refer to the detailed requirements as specified throughout these instructions.

There are 3 typical types of installations: set out from the wall, set into the wall and corner installations. Please refer to the diagrams below for examples of these installations.

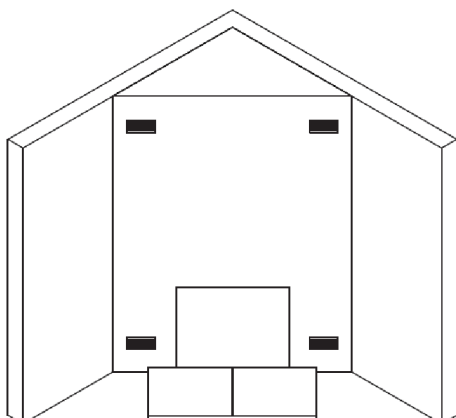
Set out from the wall



Set into the wall



Corner



INSTALLATION GUIDE

STEP 2: BUILD YOUR ENCLOSURE

Build the framework for your enclosure, referring to the diagram and table below for the **minimum** clearances from the Maxiheat Zero Clearance Box to combustible materials. The frame must extend to the ceiling.

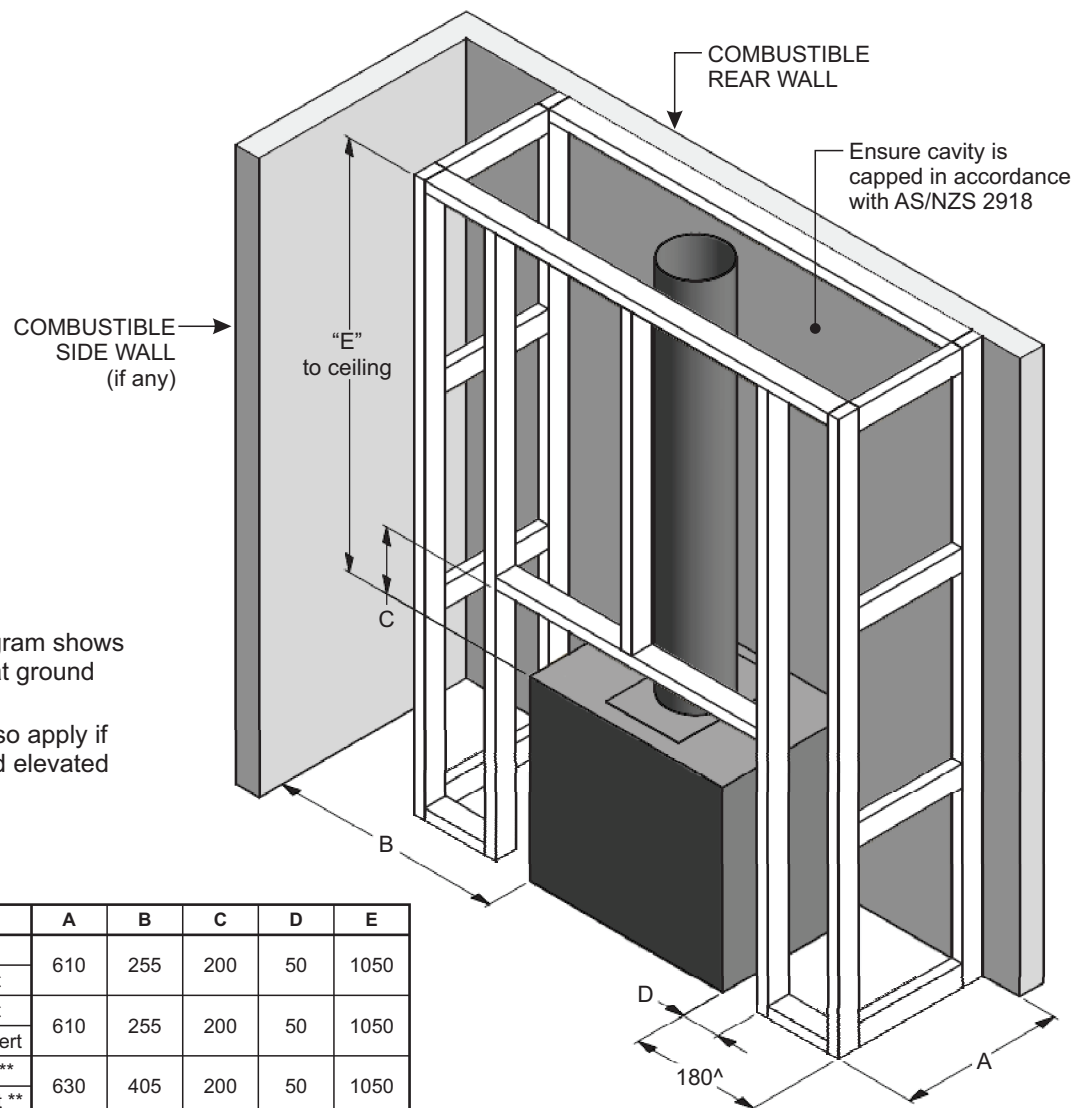
The timber frame shown below is an example only. **The heater must be installed by a qualified installer.**

Remember to make allowances for a floor protector if one is required. Refer to step 5 for floor protector details.

The zero clearance box will be put into place in the following step.

Clearances to Combustible Materials

The clearances include distances to the timber framing, any side walls and to the ceiling. Please note that the enclosure must be sealed from external draughts and vermin.



Please note this diagram shows the heater installed at ground level.

These clearances also apply if the heater is installed above the floor.

Heater	A	B	C	D	E
Austwood Cooper Insert	610	255	200	50	1050
Kent Calisto Small Insert					
Austwood Lachlan Insert	610	255	200	50	1050
Kent Calisto Medium Insert					
Austwood Murray Insert **	630	405	200	50	1050
Kent Calisto Large Insert **					
Saxon Blackwood Insert **	610	285	200	50	1050
Maxiheat Nomad Insert	635	430	250	50	1330
Clean Air Small Insert	620	330	200	40	1180
Clean Air Medium Insert *	620	330	100	40	1180
Clean Air Large Insert ***	620	380	100	40	1180

All dimensions are in millimetres.

^ Please refer to note in 'Cladding' section on following page.

INSTALLATION GUIDE

STEP 3: PUT ZERO CLEARANCE BOX IN PLACE

Once the timber framework has been built, assemble your zero clearance box and put it into place within the enclosure.

Depending on your installation, the floor protector may need to extend under your zero clearance box. Refer to step 5 for floor protector details.

The assembly instructions for the zero clearance box are on pages 9 and 10.

STEP 4: ASSEMBLE CLADDING, HEATER AND FLUE SYSTEM

Put up the cladding for the front of your enclosure first. For most heater models, the heater fascia is smaller than the front of the zero clearance box. So, when you are fitting the cladding to the front of your enclosure, you will need to 'sandwich' the cladding in between the heater fascia and the zero clearance box. Refer to details in 'Cladding' below.

Once the front cladding is in place, assemble your heater and flue system into your enclosure. The flue system is a triple cased flue system that vents the zero clearance box, as well as taking the emissions outside. Refer to details in 'Flue Requirements' on the following page.

To complete your enclosure, air vents will need to be installed. This allows cool air to be drawn in at the bottom of the enclosure and released into the room at the top of the enclosure. Refer to 'Ventilation' on page 7.

Cladding

Please note the following in regards to the cladding for your enclosure:

- The cladding must extend to the ceiling.
- The front wall of the enclosure must consist of non-combustible material. The non-combustible material must extend from the floor protector to a minimum height of 1050 mm above the top of the zero clearance box.
- For ease of construction, it is recommended that the full height of the front wall be constructed of non-combustible material. We also recommend that the non-combustible material has a thermal conductivity not greater than 0.33 W/m²K.
- The non-combustible material must extend no less than 180 mm either side of the zero clearance box. If desired, the width of the front wall may be extended.

Measure and make the cutout in your front cladding. Please refer to the table below for the size of the cutout in your cladding. The base of the cutout should sit up against the base of the heater body casing.

HEATER	Height	Width
Austwood Cooper Insert *	670	640
Kent Calisto Small Insert	620	670
Austwood Lachlan Insert *	720	700
Kent Calisto Medium Insert	670	730
Austwood Murray Insert *	770	800
Kent Calisto Large Insert	720	830
Saxon Blackwood Insert	660	790
Maxiheat Nomad Insert	640	735
Clean Air Small Insert	570	680
Clean Air Medium Insert	620	730
Clean Air Large Insert	670	830
All dimensions are in millimetres.		

* For the Austwood Insert Range:

Due to the rounded corners of the fascia, there will be a small gap at the bottom corners. You will need to fill this in with a strip of cladding across the bottom. For further detail, please refer to heater instructions.

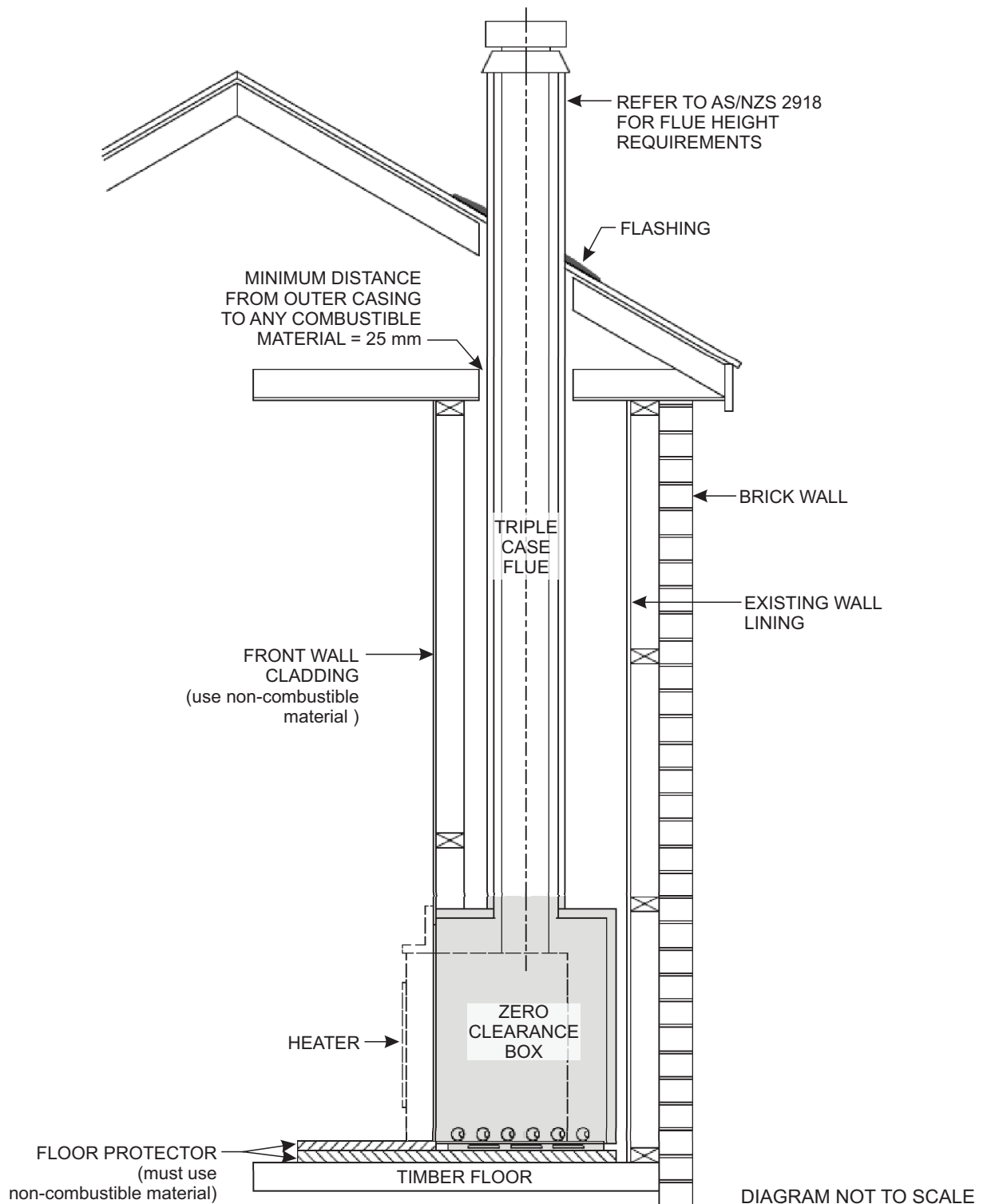
INSTALLATION GUIDE

Flue Requirements

A triple case flue kit must be used with the Maxiheat Zero Clearance Box. Ensure the flue system is installed in accordance with AS/NZS 2918 and any appropriate building codes.

We recommend you use a Maxiheat Zero Clearance Flue Kit. Please note an additional flue shield is supplied with the Maxiheat Zero Clearance Flue Kit. This flue shield is not required for this zero clearance box installation.

An example of an installation on a timber floor is shown below.



INSTALLATION GUIDE

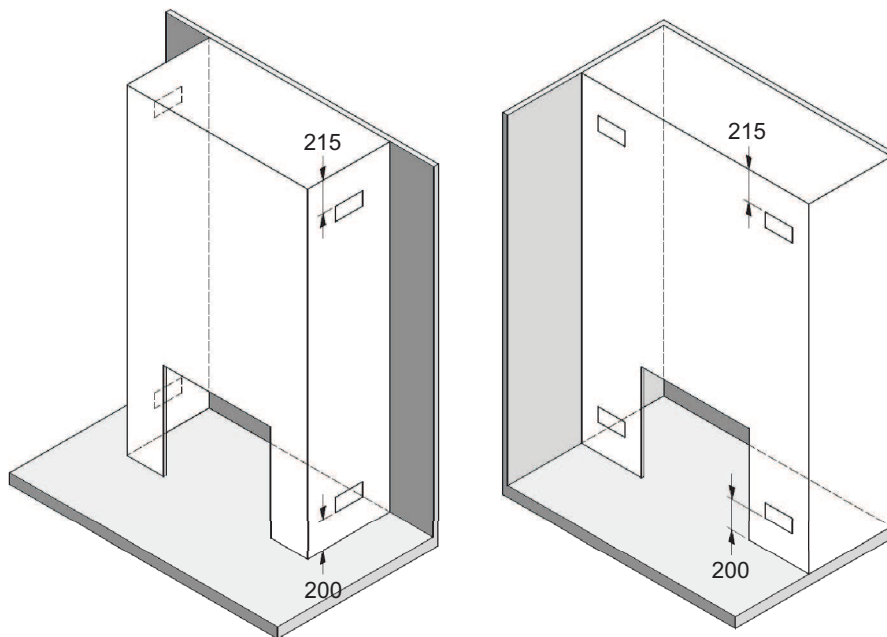
Ventilation

Ventilation to the enclosure is required to allow air flow through the enclosure to prevent overheating and maximum heat return. The air vents can be placed on the sides of the enclosure or on the front.

The vents need to have a minimum open area of 9,800 mm² and must be placed at the top and bottom of the enclosure. **Note:** The Clean Air Large Insert must have a minimum open area of 14,950 mm². The Clean Air Small Insert and Clean Air Medium Insert must have a minimum open area of 14,350 mm²

The bottom air vents must not be installed any higher than 200 mm above the floor and the top air vents must not be installed any lower than 215 mm from the ceiling.

Examples of typical installations are shown in the diagrams below.



STEP 5: PUT THE FLOOR PROTECTOR IN PLACE (if required)

If you are installing your heater on a combustible heat-sensitive floor, then you must use a floor protector with your heater.

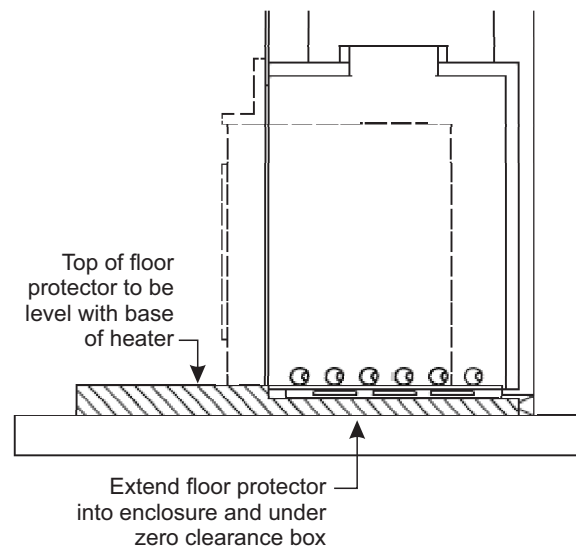
The floor protector requirements will vary depending on how the heater is installed. Please refer to the following diagrams and specifications as applicable for your installation.

If the heater is installed at **floor level**, then:

- the floor protector in front of the heater must extend into the enclosure and under the zero clearance box.

Depending on the floor protector thickness requirements for your heater, you may need to raise the zero clearance box so that the base of the heater aligns with the top of the hearth. If the zero clearance box needs to be raised, you must ensure the zero clearance box is supported on non-combustible material.

Please refer to the heater instructions for floor protector dimensions.



INSTALLATION GUIDE

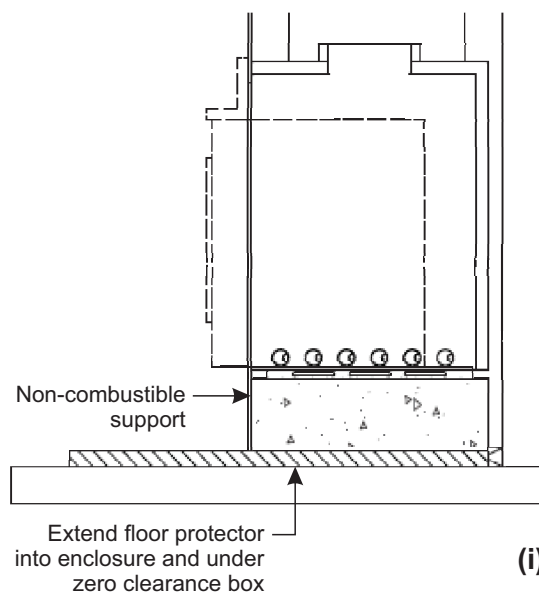
The heater may be elevated and installed so that the base of the heater is above the floor. The height at which the heater is installed will determine:

- the size and material of the floor protector, and
- the material of the frame that the zero clearance box sits on.

The specific height 'A' that affects the floor protector and zero clearance support will vary depending on your heater. Please refer to the table below for the specific height 'A' for your heater.

- (i) If the heater is **elevated** and installed so that the **base of the heater is less than 'A' above the floor**, then:
- the floor protector in front of the heater must extend into the enclosure and under the zero clearance box, and
 - the zero clearance box must be supported on non-combustible material.

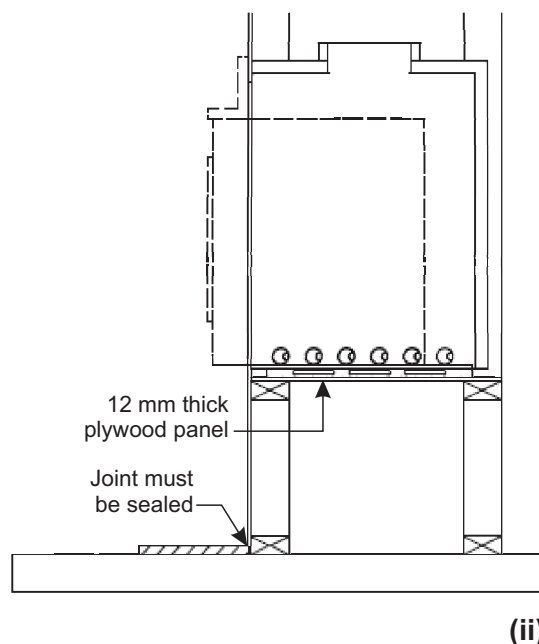
Please refer to the heater instructions for floor protector dimensions.



- (ii) If the heater is **elevated** and installed so that the **base of the heater is more than 'A' above the floor**, then:

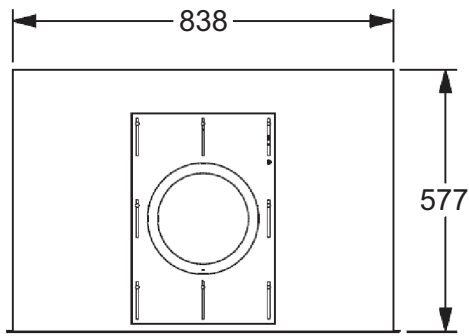
- the floor protector in front of the heater does not need to extend into the enclosure,
- the floor protector must consist of non-combustible material, with a thermal conductivity not greater than $0.33 \text{ W/m}^2\text{K}$, such as compressed cement sheet, and
- the zero clearance box may be supported on a timber frame topped with a 12 mm thick plywood panel (or equivalent). The plywood panel must not be greater than 900 mm wide. This is to ensure sufficient ventilation around the sides of the zero clearance box. Alternatively, you may purchase a steel frame (Product Code: LSHSINSFRAME) from your Maxiheat dealer. This frame is 400 mm high by 710 mm wide by 430 mm deep.

Please refer to the table below for the minimum dimensions required for the floor protector.

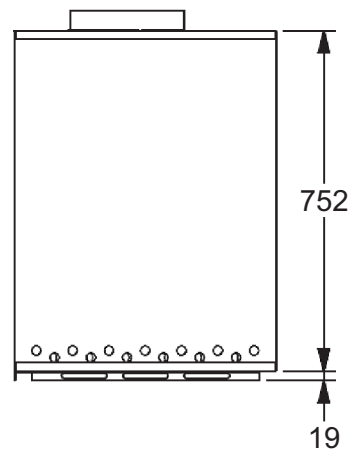
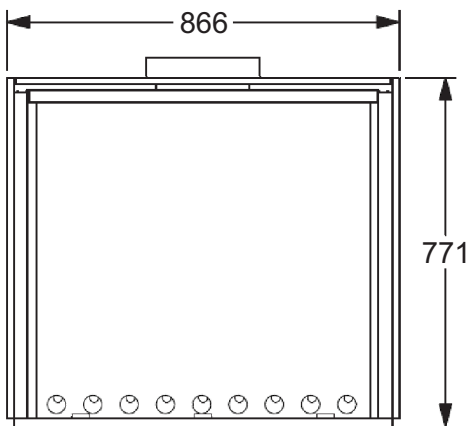


HEATER	Height of base of heater above the floor 'A'	Floor Protector Dimensions	
		Width	Depth in front of door opening
Austwood Cooper Insert	250	873	400
Kent Calisto Small Insert			
Austwood Lachlan Insert		935	
Kent Calisto Medium Insert			
Austwood Murray Insert	350	1033	300
Kent Calisto Large Insert			
Saxon Blackwood Insert	350	920	
Maxiheat Nomad Insert	250	1045	
Clean Air Small Insert	250	921	
Clean Air Medium Insert	275	971	
Clean Air Large Insert	375	1071	
All dimensions are in millimetres.			

ZERO CLEARANCE BOX DIMENSIONS



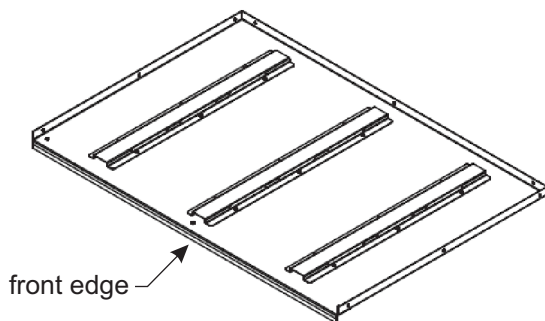
All dimensions are in millimetres.



ZERO CLEARANCE BOX ASSEMBLY DETAILS

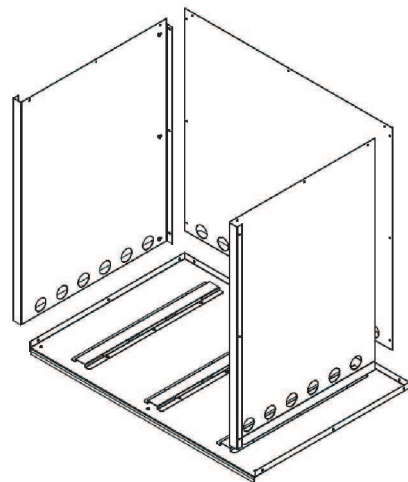
Step 1

Lay down the bottom panel as shown below.



Step 2

Screw inner left, inner right and inner back panels together, with the vent holes to the bottom and returns facing outwards.

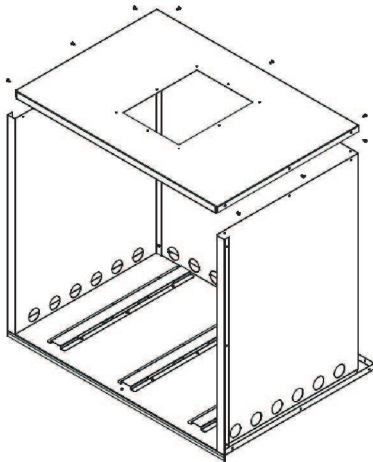


continued on following page...

ZERO CLEARANCE BOX ASSEMBLY DETAILS

Step 3

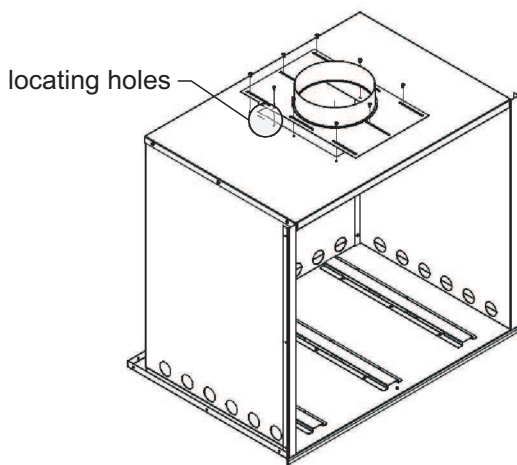
Screw the inner top panel in place.



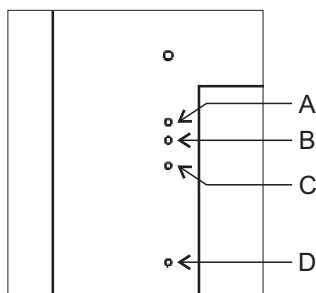
Step 4

Loosely screw the inner collar (Ø200 mm) to the top panel. Do not tighten the screws until you have fixed the locating screw.

There is a locating hole on the inner collar. Align this hole to one of the four locating holes on the inner top panel.



Refer to the diagram and table below to determine which hole to use for your heater.

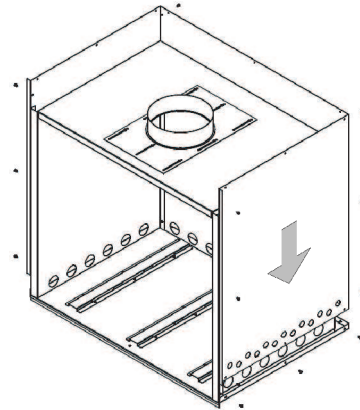


A	Clean Air Large Insert	C	Saxon Blackwood Insert
B	Austwood Lachlan Insert	C	Clean Air Medium Insert
	Kent Calisto Medium Insert		Austwood Cooper Insert
	Austwood Murray Insert	D	Kent Calisto Small Insert
	Kent Calisto Large Insert		Clean Air Small Insert

Step 5

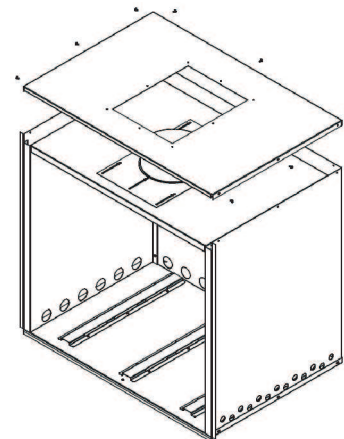
Screw the outer left, outer right and outer rear panels in place with the vent holes to the bottom and the returns facing outwards.

You may find it easier to screw the side and rear panels together first, before screwing them to the base panel.



Step 6

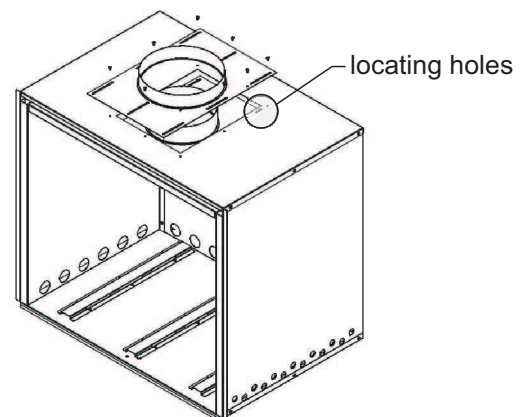
Screw the outer top panel in place.



Step 7

Loosely screw the outer collar (Ø250 mm) to the top panel. Do not tighten the screws until you have fixed the locating screw.

Align outer collar to the inner collar and screw the collar into place using the appropriate locating hole.



This page is left intentionally blank.

NEED ACCESSORIES?

Your Maxiheat dealer also sells a range of attractive, good value accessories for your heater like mesh guards, tool sets and wood baskets.

Also, you can ask about maintenance products, firelighters, touch up paint, flue cleaning products and more.

Manufactured for G.L.G. Australia Pty Ltd.
Building A2, Campus Business Park
350-374 Parramatta Road
Homebush NSW 2140

HINS-195C
31012020